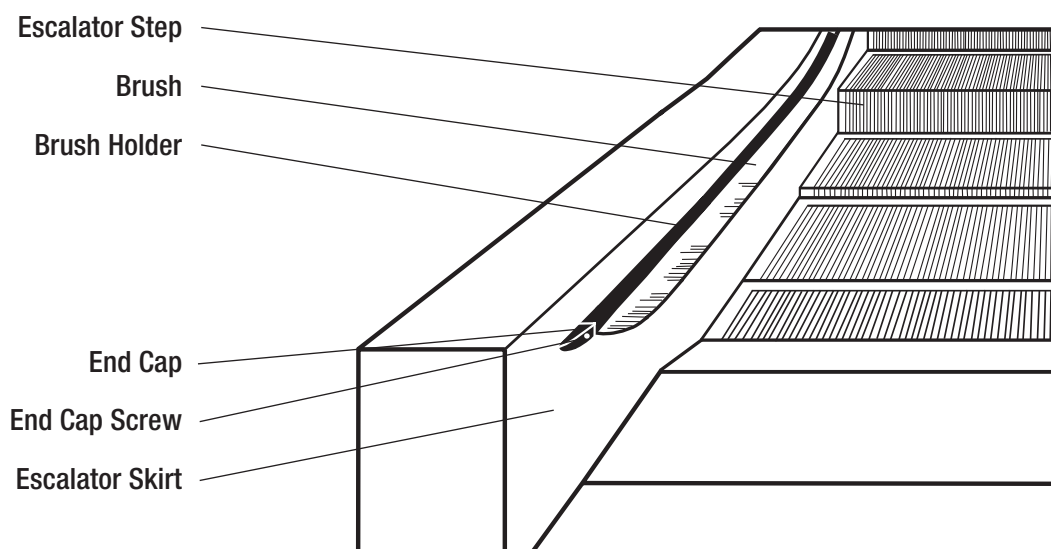


D-Flector Care & Maintenance

EHC's D-Flector brushes are extremely easy to clean and maintain and have been designed to ensure durability, even on high traffic escalators. Although brush holders and brush bristles may get dirty from daily traffic, by regularly following the maintenance and care procedure described below, your D-Flector brushes will provide many years of service.



Cleaning

Apply a mild, non-abrasive cleaning solution to the aluminum brush holders and end caps with a soft cloth and wipe sections as needed to maintain a shine.

Do not use corrosive or flammable cleaners on any part of the safety brushes.

Dusting

Periodically vacuum the brush bristles to prevent the build-up of dust or lint which could become a fire hazard. This will also keep the brush bristles from becoming unsightly from dirt build-up.

Replacement parts

If any part of the brush, brush holder or end cap becomes damaged, contact EHC for replacement parts.