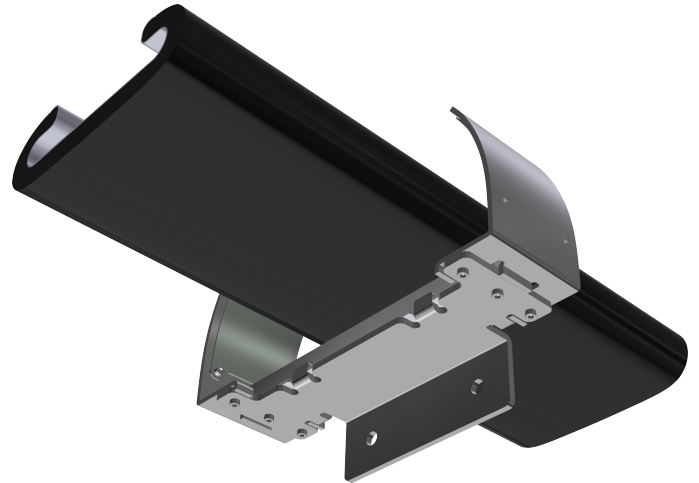


Gen3

Model #: MD1002-1

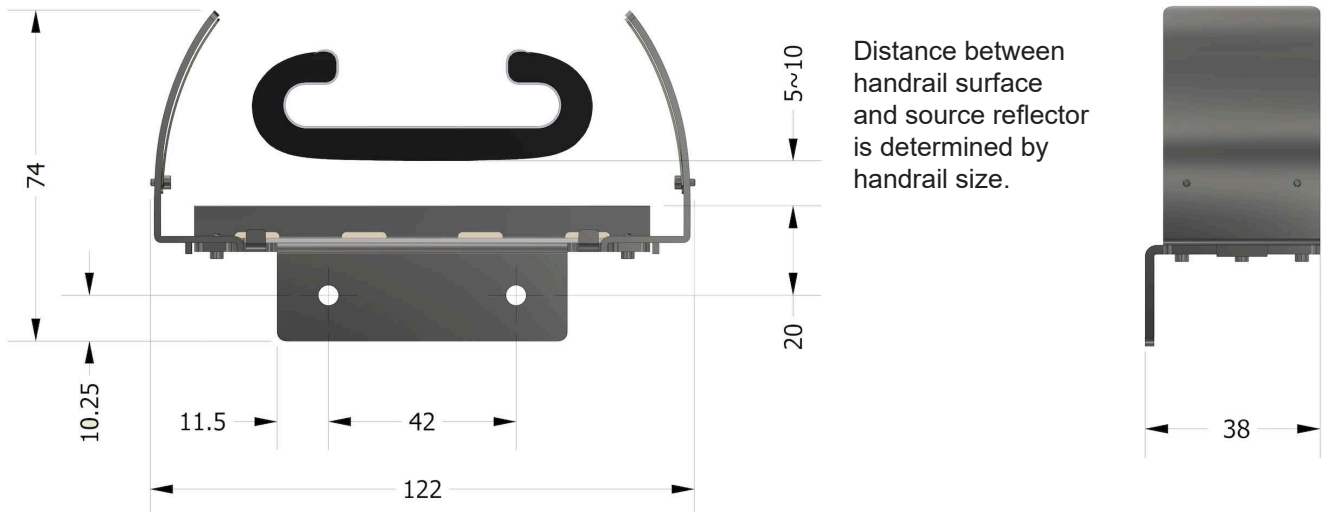
Description: UV-C Handrail Module

- Input Voltage 12VDC +/- 10%
- Input Current 500 mA (Maximum)
- Lighting Color (Peak Wavelength): 278nm
- Operating Temperature Range: -30°C ~ +65°C
- UV-C LED Light Bar Current: 150mA DC +/- 3%
- UV-C LED Light Bar Optical Power: 46mW +/-10%
- UV-C LED Peak Wavelength: 275nm +/- 3nm

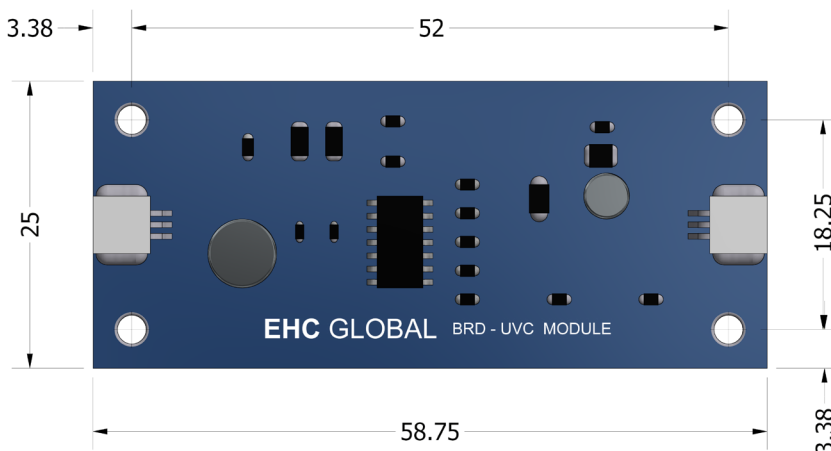


Dimensions (±0.50mm)

Module Assembly*



PCB Driver*



Provided Wire Lengths:

Power IN (12VDC Supply): 100mm

Power OUT (Driver > Module): 300mm

**Illustrations are not to scale*